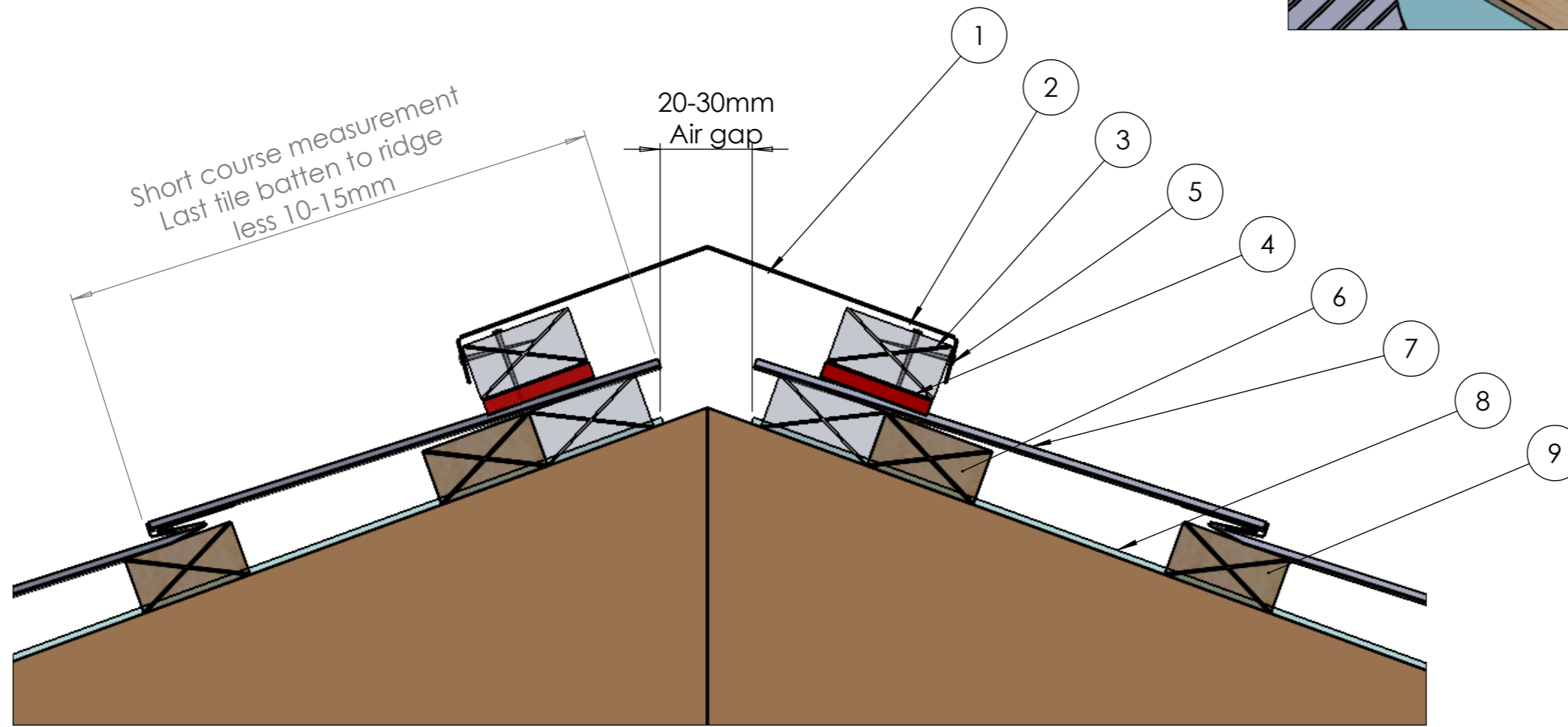
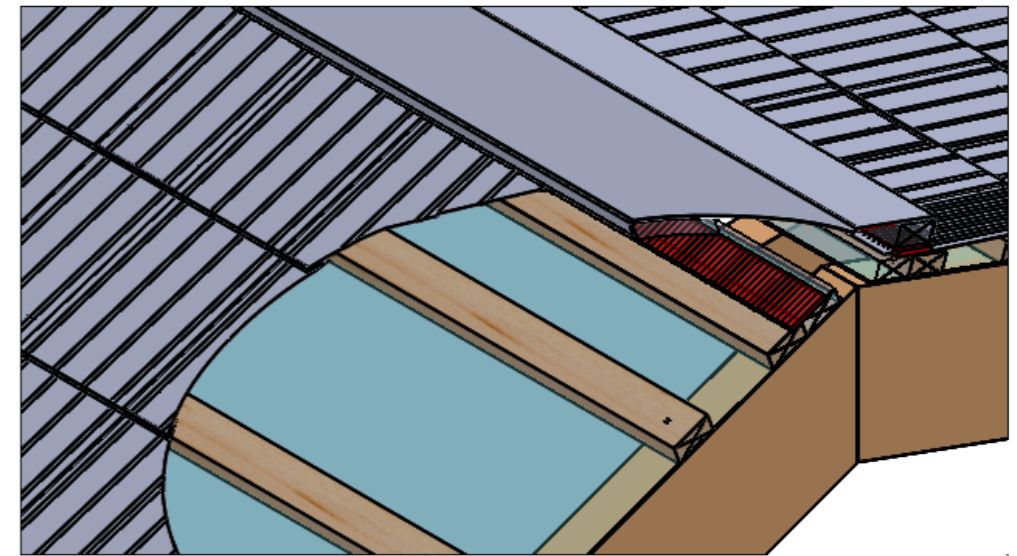


ITEM	DESCRIPTION	DETAIL
1	Angle ridge	
2	Nail	65-75mm
3	Ridge batten	50x25mm
4	Ridge vent strip	50x6mm
5	Nail	30mm
6	Double ridge batten	50x25mm
7	Tile panel	Shingle
8	Membrane	
9	Tile batten	50x25mm



**BRITMET**  
 LIGHTWEIGHT ROOFING  
 Britmet Tileform Ltd  
 Kingfisher House, Unit 17  
 Overthorpe Road, Banbury, OX16 4SX

	NAME	DATE	MATERIAL:
DRAWN			
CHK'D			

DO NOT SCALE DRAWING	REVISION
TITLE: Shingle Ventilated Typ. Ridge detail.	
DWG NO. SH-Ridge-01-A	
SCALE:DNS	SHEET 1 OF 1

A3